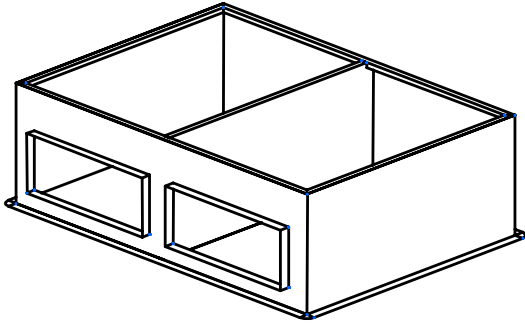


Plenum Curbs

Type: PC-1



Adaptable Air Products

910 Creekside Road, Chattanooga, TN 37406
 Phone: (423) 698-1003 ~ Fax: (423) 622-4002
 Toll Free: 1-866-227-4462

Features:

- ✓ Fully welded galvanized steel shell
- ✓ Solid insulated bottom
- ✓ Fully insulated sides, 1 1/2" rigid fiberglass
- ✓ All welds coated after fabrication

Customer: _____

Order Date: _____

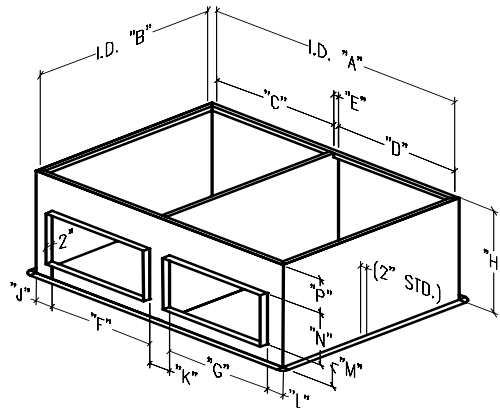
Project: _____

Date Required: _____

Ship To: _____

Special Instructions

Customer PO#: _____



TAG	No. Req.	A	B	C	D	E	F	G	H	J	K	L	M	N	P