

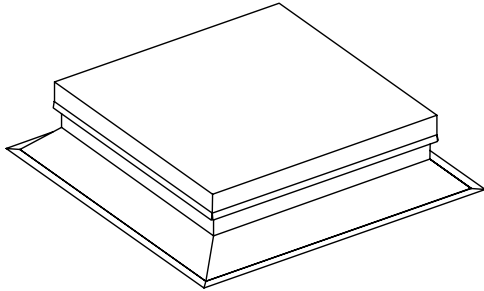
Platform Roof Curbs

Type: **APC-4**



Adaptable Air Products

910 Creekside Road, Chattanooga, TN 37406
 Phone: (423) 698-1003 ~ Fax: (423) 622-4002
 Toll Free: 1-866-227-4462



Features:

- ✓ Pre installed pressure treated wood nailer
- ✓ 1 1/2" Rigid fiberglass insulation
- ✓ Fully welded galvanized steel shell
- ✓ Mitered base flange, fully welded
- ✓ All welds coated after fabrication
- ✓ 3/4" Pressure treated plywood top with 20ga top fully welded

Customer: _____

Order Date: _____

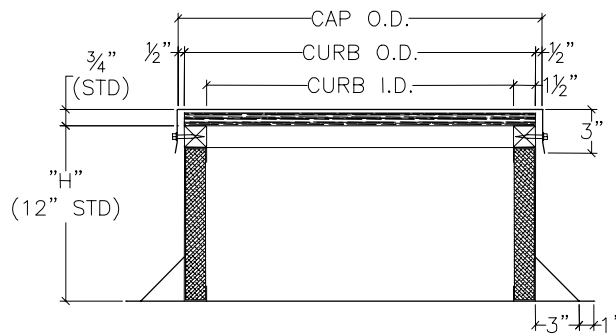
Project: _____

Date Required: _____

Ship To: _____

Special Instructions

Customer PO#: _____



TAG	Number Required	Curb I.D.	Curb O.D.	H