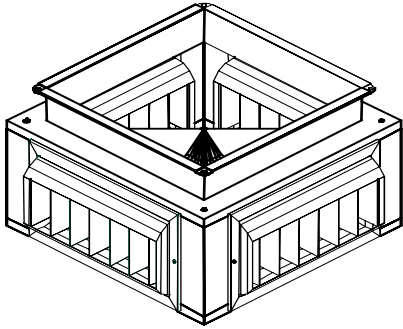


Plenum Diffuser System



Adaptable Air Products

910 Creekside Road, Chattanooga, TN 37406
 Phone: (423) 698-1003 ~ Fax: (423) 622-4002
 Toll Free: 1-866-227-4462



**Model DDL D with Drum Louver
 4-Way Discharge**

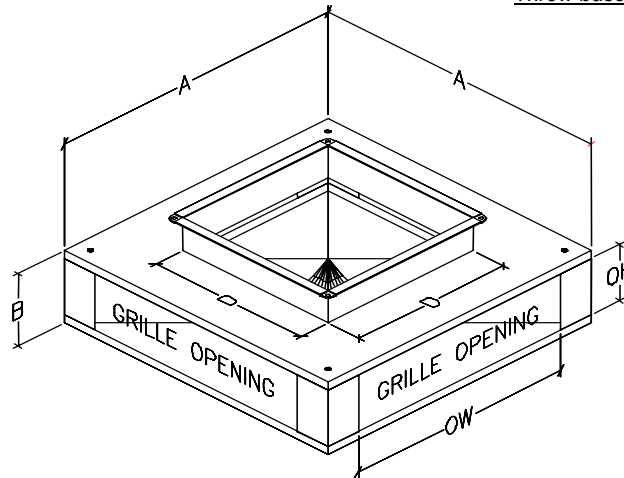
Features:

- ✓ Drum louver for vertical and horizontal air control
- ✓ Curved Turning vane in each quadrant
- ✓ Standard TDC duct connection
- ✓ 3/8" threaded insert in each corner for mounting
- ✓ 18 ga. Galvanized steel construction
- ✓ 1", 1-1/2lb internal insulation
- ✓ Curb and duct packages available

PERFORMANCE DATA

MODEL	Nominal CFM	0° Deflection			30° Deflection		
		Throw	P.D.	NC	Throw	P.D.	NC
DDL D 1206-5	2000	28'	.295	30	20'	.480	39
DDL D 1806-7.5	3000	36'	.325	34	25'	.589	43
DDL D 3006-10	4000	40'	.179	29	28'	.321	38
DDL D 2010-12.5	5000	44'	.195	36	32'	.345	45
DDL D 2510-15	6000	50'	.221	39	35'	.389	48
DDL D 3510-20	8000	53'	.173	37	37'	.307	46
DDL D 4010-25	10000	60'	.213	41	42'	.389	50
DDL D 5010-30	12000	65'	.194	42	45'	.331	51

Throw base on 50 FPM Terminal Velocity



DIMENSIONAL DATA

MODEL	A	B	D	OW x OH	Nominal CFM
DDL D 1206-5	22	9	14	13-1/8 x 7"	2000
DDL D 1806-7.5	28	9	20	19-1/8 x 7"	3000
DDL D 3006-10	40"	9"	22"	31-1/8 x 7"	4000
DDL D 2010-12.5	30"	13"	24"	21-1/8 x 11"	5000
DDL D-2510-15	35"	13"	28"	26-1/8 x 11"	6000
DDL D-3510-20	45"	13"	30"	36-1/8 x 11"	8000
DDL D-4010-25	50"	13"	36"	41-1/8 x 11"	10000
DDL D 5010-30	57"	13"	38"	51-1/8 x 11"	12000

Custom sizes available