

Plenum Diffuser System

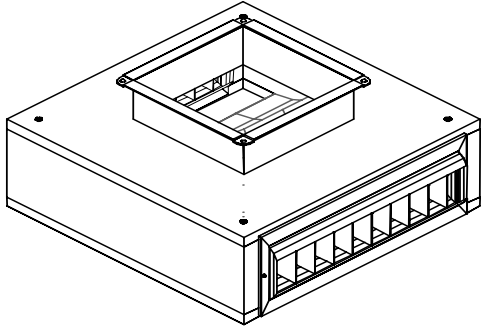


Adaptable Air Products

910 Creekside Road, Chattanooga, TN 37406

Phone: (423) 698-1003 ~ Fax: (423) 622-4002

Toll Free: 1-866-227-4462



**Model DDL D with Drum Louver
2-Way Discharge**

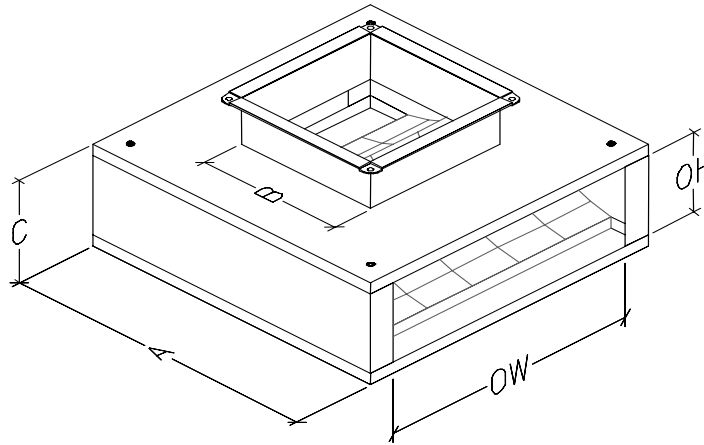
(Opposed sides shown, other configurations available)

Features:

- ✓ Drum louver for vertical and horizontal air control
- ✓ Turning vane in each quadrant
- ✓ Standard TDC duct connection
- ✓ 3/8" threaded insert in each corner for mounting
- ✓ 18 ga. Galvanized steel construction
- ✓ 1", 1-1/2lb internal insulation
- ✓ Curb and duct packages available

PERFORMANCE DATA							
MODEL	NomInal CFM	0° Deflection			30° Deflection		
		Throw	P.D.	NC	Throw	P.D.	NC
DDL D 2406-5	2000	40'	.281	34	28'	.508	43
DDL D 3606-7.5	3000	51'	.307	39	36'	.528	48
DDL D 3010-10	4000	55'	.226	42	38'	.431	51
DDL D 3012-12.5	5000	61'	.360	39	43'	.693	48
DDL D 4012-15	6000	63'	.295	37	44'	.538	46
DDL D 5012-20	8000	76'	.332	41	53'	.648	50
DDL D 5015-25	10000	77'	.215	37	54'	.378	46
DDL D 6015-30	12000	89'	.218	39	62'	.402	48

Throw base on 50 FPM Terminal Velocity



DIMENSIONAL DATA					
MODEL	A	B	C	OW x OH	NomInal CFM
DDL D 2406-5	30"	14"	9"	25-1/8 x 7"	2000
DDL D 3606-7.5	42"	18"	9"	37-1/8 x 7"	3000
DDL D 3010-10	36"	22"	13"	31-1/8 x 11"	4000
DDL D 3012-12.5	36"	24"	15"	31-1/8 x 13"	5000
DDL D 4012-15	46"	28"	15"	41-1/8 x 13"	6000
DDL D 5012-20	56"	30"	15"	51-1/8 x 13"	8000
DDL D 5015-25	56"	36"	18"	51-1/8 x 16"	10000
DDL D 6015-30	66"	38"	18"	61-1/8 x 16"	12000

Custom sizes available