

Custom Expansion Joint

Expansion Joint Accessories



Adaptable Air Products

910 Creekside Road, Chattanooga, TN 37406

Phone: (423) 698-1003 ~ Fax: (423) 622-4002

Toll Free: 1-866-227-4462

Features:

- ✓ Pre installed pressure treated wood nailer
- ✓ Fully welded galvanized steel shell
- ✓ Mitered, fully welded corners
- ✓ All welds coated after fabrication

Customer: _____

Order Date: _____

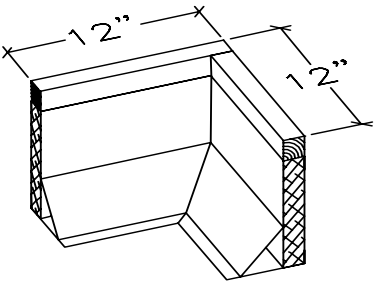
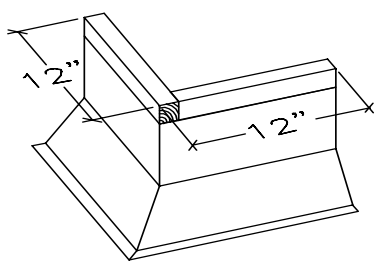
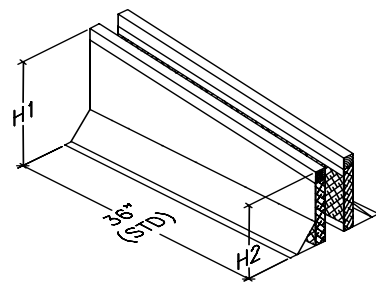
Project: _____

Date Required: _____

Ship To: _____

Special Instructions

Customer PO#: _____

 <p>INSIDE CORNER</p>	 <p>OUTSIDE CORNER</p>	 <p>END SLOPING</p>				
TAG	Inside Corner No. Required	Outside Corner No. Required	End Sloping No. Required	Type	H1	H2