

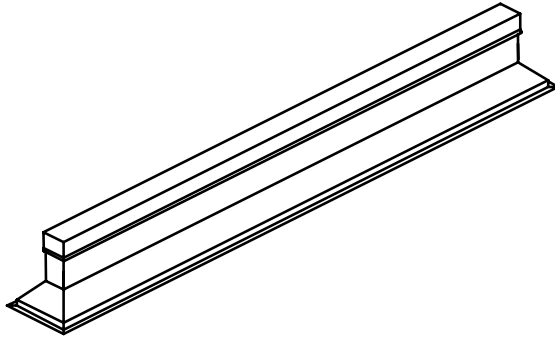
Equipment Supports

Type: **ES-1**



Adaptable Air Products

910 Creekside Road, Chattanooga, TN 37406
 Phone: (423) 698-1003 ~ Fax: (423) 622-4002
 Toll Free: 1-866-227-4462



Features:

- ✓ Pre installed pressure treated wood nailer
- ✓ Fully welded 18 ga. galvanized steel shell, base plate, and counter flashing.
- ✓ Mitered corners, fully welded
- ✓ All welds coated after fabrication
- ✓ Internal reinforcements

Customer: _____

Order Date: _____

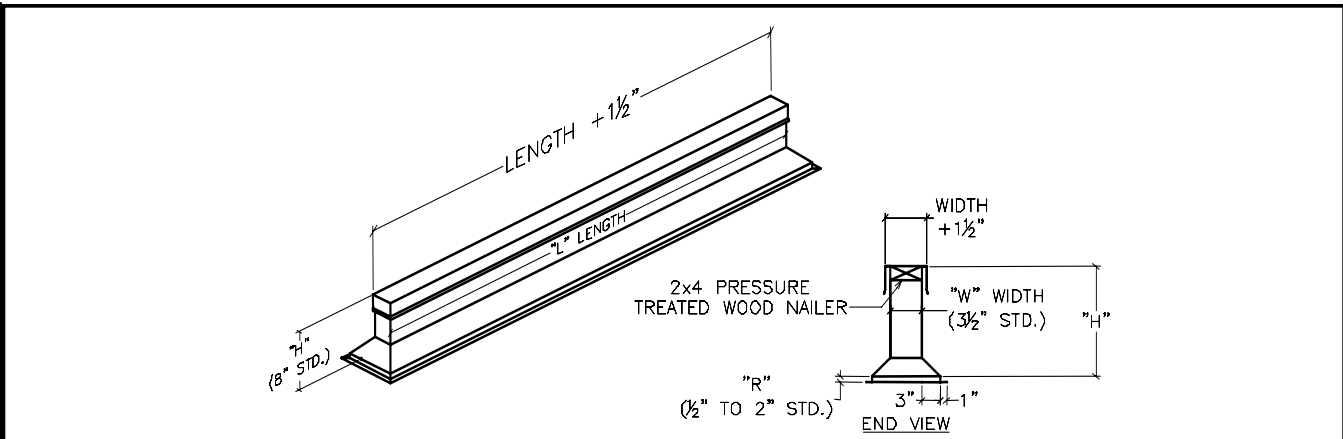
Project: _____

Date Required: _____

Ship To: _____

Special Instructions

Customer PO#: _____



TAG	Number Required	L	W	H	R